

Specification for white LED



Tyranno M

- ✧ 1.0W maximum power capability
- ✧ High brightness LED
- ✧ Dimension : 3.5 x 3.6 x 1.6 mm
- ✧ Precondition : JEDEC Level 2a
- ✧ Lead-free reflow soldering application
- ✧ RoHS compliant

Vendor		Customer
Written	Approval	Approval

Lumens CO., LTD.

12, Wongomae-ro, Giheung-gu, Yongin-si, Gyeonggi-do, Korea

<http://www.lumens.co.kr>

Table of Contents

1. Product description	3
2. Absolute maximum ratings	3
3. Electro-optical characteristics($T_a=25\text{ }^\circ\text{C}$)	4
4. Electro-optical chart($T_a=25\text{ }^\circ\text{C}$)	4
5. Ranks	5
6. Chromaticity diagram & coordinates	6-11
7. Characteristic Graphs($T_a=25\text{ }^\circ\text{C}$)	12-14
8. Outline Dimensions	15
9. Circuit Design	16
10. Reliability test items and conditions	16
11. Recommended soldering temperature–time profile for reflow soldering	17
12. Taping & Orientation	18
13. Cautions	19-20

1. Product description

(1) Description

- The Tyranno M series LED is designed for the mid power operation to get the high flux output applications.
- Tyranno M, M means middle Power LED.
- It incorporates the state of the art SMD design and high reliable material.
- It is ideal for the light source for general illumination applications, custom designed solutions.

(2) Features

- Maximum drive current up to 350mA
- Low thermal resistance as low as 9°C/W
- Wide viewing angle of 130 degrees
- Precondition JEDEC Level 2a
- RoHS compliant

(3) Applications

- Indoor lighting, Outdoor lighting, Industrial lighting

2. Absolute maximum ratings

Parameters	Symbol	Value	Unit
Power dissipated	Pd	1.0	W
Rated forward current	If	350	mA
Allowable peak forward current(1)	Ip	370	mA
Maximum junction temperature capability(2)	Tj	125	°C
Electrostatic discharge threshold	ESD	≤ 5KV	V
Operating temperature	Top	-40~85	°C
Storage temperature	Tst	-40~85	°C
Soldering temperature (Reflow)	Tsor	260°C, 10s	°C, s
Soldering temperature (Hand)	Tsoh	350°C, 3s	°C, s

(1) Ip measured at 1/10 duty cycle, 0.1ms pulse width.

(2) Proper current derating must be observed to maintain junction temperature below the maximum.

3. Electro-optical characteristics (Ta=25°C)

Parameters	Symbol	Condition	Min.	Typ.	Max.	Unit
Luminous output	Φ_v	If=130mA	45	-	60	lm
Correlated Color Temperature	CCT	If=130mA	2700	-	7000	K
Color Rendering Index	CRI	If=130mA	-	80	-	-
Forward voltage	Vf	If=130mA	2.7	2.9	3.0	V
Viewing angle FWHM	2 θ 1/2	If=130mA		130		degrees
Thermal resistance junction to solder pad	Rthj-s	If=350mA		9		°C/W

- Parameters are measured by CAS-140 of Instrument System CO.,LTD.
- Lumens maintains a tolerance of $\pm 0.1V$ on forward voltage measurements.
- Lumens maintains a tolerance of ± 3 on CRI measurements.

4. Electro-optical chart (Ta=25°C)

CCT(K)	If(mA)	Vf(V)	Pd(W)	Φ_v (lm)	lm/W
2700	130	2.78	0.36	51.74	143.18
	350	2.98	1.04	120.12	115.17
3000	130	2.78	0.36	52.92	146.43
	350	2.98	1.04	122.85	117.79
4000	130	2.78	0.36	57.33	158.63
	350	2.98	1.04	133.09	127.60
5000	130	2.78	0.36	58.80	162.70
	350	2.98	1.04	136.50	130.87
5700	130	2.78	0.36	58.21	161.07
	350	2.98	1.04	135.14	129.56
6500	130	2.78	0.36	57.33	158.63
	350	2.98	1.04	133.09	127.60

- Parameters are measured by CAS-140 of Instrument System CO.,LTD.
- Lumens maintains a tolerance of $\pm 7\%$ on flux measurements.
- Lumens maintains a tolerance of $\pm 0.1V$ on forward voltage measurements.

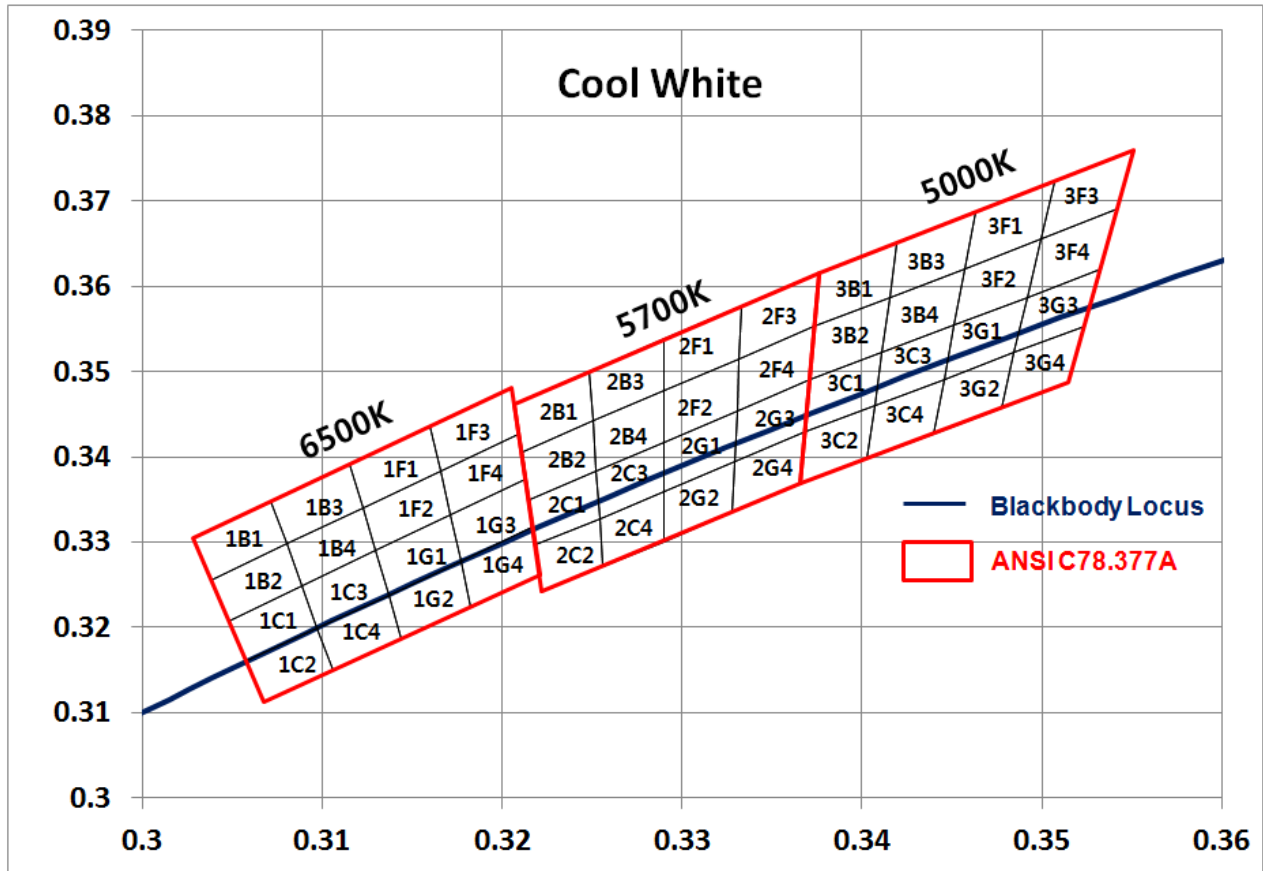
5. Ranks

Item	Symb ol	CCT(K)	Rank	Min.	Typ.	Max.	Unit	CRI	Condition		
Luminous Flux	Φv	2700	A	45	-	50	lm	80	130mA		
			B	50	-	55					
		3000	A	45	-	50	lm				
			B	50	-	55					
		4000	A	50	-	55	lm				
			B	55	-	60					
		5000	A	50	-	55	lm				
			B	55	-	60					
		5700	A	50	-	55	lm				
			B	55	-	60					
		6500	A	50	-	55	lm				
			B	55	-	60					
		Forward Voltage	Vf	-	1	2.7	-			2.8	V
					2	2.8	-			2.9	
3	2.9				-	3					

- Parameters are measured by CAS-140 of Instrument System CO.,LTD.
- Lumens maintains a tolerance of ±7% on flux measurements.
- Lumens maintains a tolerance of ±0.1V on forward voltage measurements.

6. Chromaticity diagram & coordinates

(1) Cool White



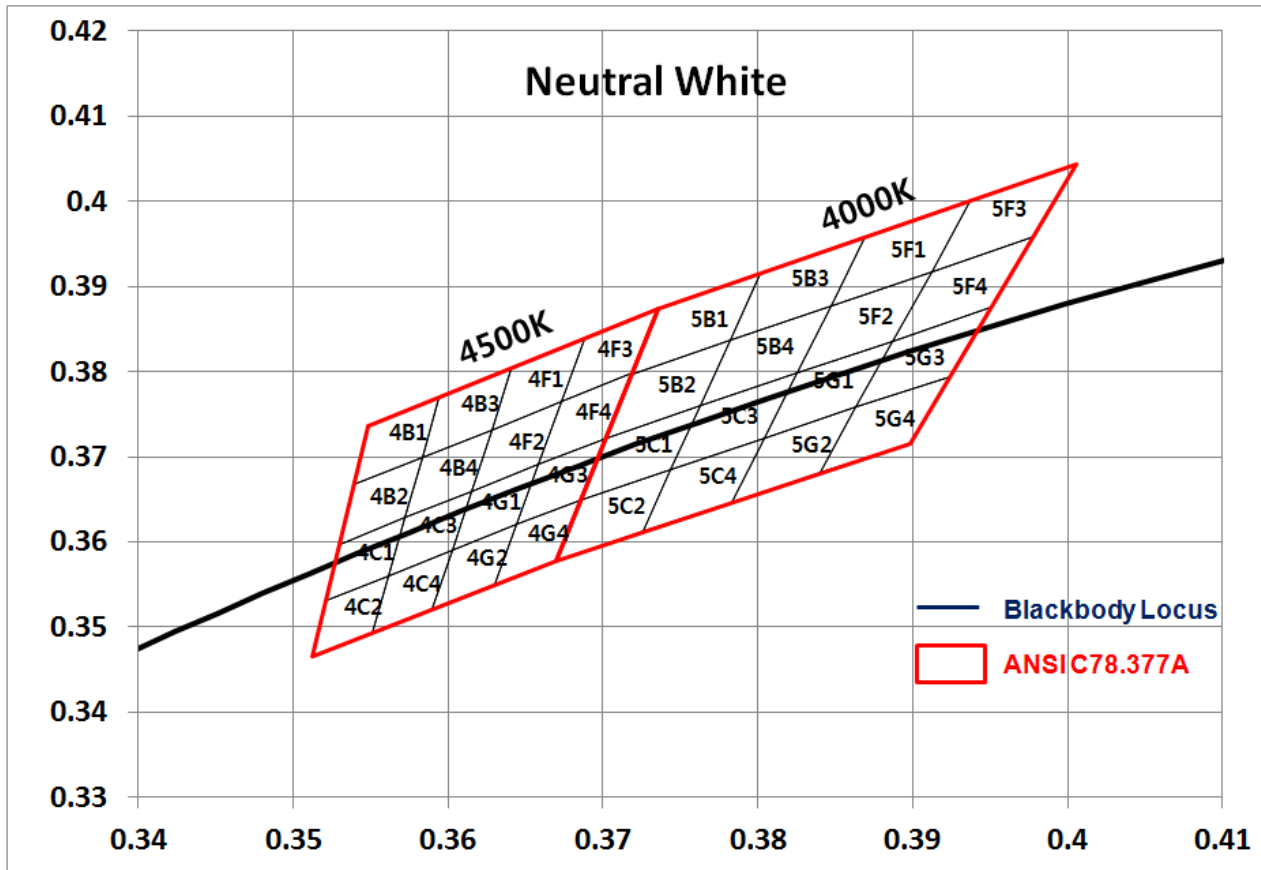
- Lumens maintains a tolerance of ± 0.005 on chromaticity (CCx, CCy)

CCT(K)	Region	x	y	Region	x	y	Region	x	y	Region	X	y
6500k	1B1	0.3038	0.3256	1B2	0.3048	0.3207	1B3	0.3080	0.3298	1B4	0.3089	0.3249
		0.3028	0.3304		0.3038	0.3256		0.3072	0.3348		0.3080	0.3298
		0.3072	0.3348		0.3080	0.3298		0.3115	0.3391		0.3123	0.3341
		0.3080	0.3298		0.3089	0.3249		0.3123	0.3341		0.3130	0.3290
6500k	1C1	0.3058	0.3160	1C2	0.3068	0.3113	1C3	0.3098	0.3199	1C4	0.3106	0.3150
		0.3048	0.3207		0.3058	0.3160		0.3089	0.3249		0.3098	0.3199
		0.3089	0.3249		0.3098	0.3199		0.3130	0.3290		0.3137	0.3238
		0.3098	0.3199		0.3106	0.3150		0.3137	0.3238		0.3144	0.3186
6500k	1F1	0.3123	0.3341	1F2	0.3130	0.3290	1F3	0.3166	0.3384	1F4	0.3172	0.3332
		0.3115	0.3391		0.3123	0.3341		0.3160	0.3436		0.3166	0.3384
		0.3160	0.3436		0.3166	0.3384		0.3205	0.3481		0.3209	0.3427
		0.3166	0.3384		0.3172	0.3332		0.3209	0.3427		0.3213	0.3373

(1) Cool White (Continued)

CCT(K)	Region	x	y	Region	x	y	Region	x	y	Region	x	y
6500k	1G1	0.3137	0.3238	1G2	0.3144	0.3186	1G3	0.3177	0.3278	1G4	0.3183	0.3224
		0.313	0.329		0.3137	0.3238		0.3172	0.3332		0.3177	0.3278
		0.3172	0.3332		0.3177	0.3278		0.3213	0.3373		0.3217	0.3317
		0.3177	0.3278		0.3183	0.3224		0.3217	0.3317		0.3221	0.3261
5700k	2B1	0.3211	0.3406	2B2	0.3215	0.335	2B3	0.3251	0.3442	2B4	0.3253	0.3384
		0.3207	0.3462		0.3211	0.3406		0.3249	0.35		0.3251	0.3442
		0.3249	0.35		0.3251	0.3442		0.329	0.3538		0.329	0.3478
		0.3251	0.3442		0.3253	0.3384		0.329	0.3478		0.329	0.3417
5700k	2C1	0.3219	0.3297	2C2	0.3222	0.3243	2C3	0.3254	0.3328	2C4	0.3256	0.3272
		0.3215	0.335		0.3219	0.3297		0.3253	0.3384		0.3254	0.3328
		0.3253	0.3384		0.3254	0.3328		0.329	0.3417		0.329	0.3359
		0.3254	0.3328		0.3256	0.3272		0.329	0.3359		0.329	0.33
5700k	2F1	0.329	0.3478	2F2	0.329	0.3417	2F3	0.3332	0.3515	2F4	0.3331	0.3454
		0.329	0.3538		0.329	0.3478		0.3333	0.3577		0.3332	0.3515
		0.3333	0.3577		0.3332	0.3515		0.3376	0.3616		0.3374	0.3553
		0.3332	0.3515		0.3331	0.3454		0.3374	0.3553		0.3371	0.349
5700k	2G1	0.329	0.3359	2G2	0.329	0.33	2G3	0.3329	0.3394	2G4	0.3328	0.3335
		0.329	0.3417		0.329	0.3359		0.3331	0.3454		0.3329	0.3394
		0.3331	0.3454		0.3329	0.3394		0.3371	0.349		0.3369	0.343
		0.3329	0.3394		0.3328	0.3335		0.3369	0.343		0.3366	0.3369
5000k	3B1	0.3374	0.3553	3B2	0.3371	0.349	3B3	0.3415	0.3587	3B4	0.3411	0.3522
		0.3376	0.3616		0.3374	0.3553		0.342	0.3652		0.3415	0.3587
		0.342	0.3652		0.3415	0.3587		0.3463	0.3687		0.3457	0.3621
		0.3415	0.3587		0.3411	0.3522		0.3457	0.3621		0.3451	0.3554
5000k	3C1	0.3369	0.343	3C2	0.3366	0.3369	3C3	0.3407	0.346	3C4	0.3403	0.3398
		0.3371	0.349		0.3369	0.343		0.3411	0.3522		0.3407	0.346
		0.3411	0.3522		0.3407	0.346		0.3451	0.3554		0.3446	0.3491
		0.3407	0.346		0.3403	0.3398		0.3446	0.3491		0.344	0.3427
5000k	3F1	0.3457	0.3621	3F2	0.3451	0.3554	3F3	0.35	0.3655	3F4	0.3492	0.3587
		0.3463	0.3687		0.3457	0.3621		0.3507	0.3724		0.35	0.3655
		0.3507	0.3724		0.35	0.3655		0.3551	0.376		0.3542	0.369
		0.35	0.3655		0.3492	0.3587		0.3542	0.369		0.3533	0.362
5000k	3G1	0.3446	0.3491	3G2	0.344	0.3427	3G3	0.3485	0.3522	3G4	0.3478	0.3457
		0.3451	0.3554		0.3446	0.3491		0.3492	0.3587		0.3485	0.3522
		0.3492	0.3587		0.3485	0.3522		0.3533	0.362		0.3524	0.3554
		0.3485	0.3522		0.3478	0.3457		0.3524	0.3554		0.3515	0.3487

(2) Neutral White



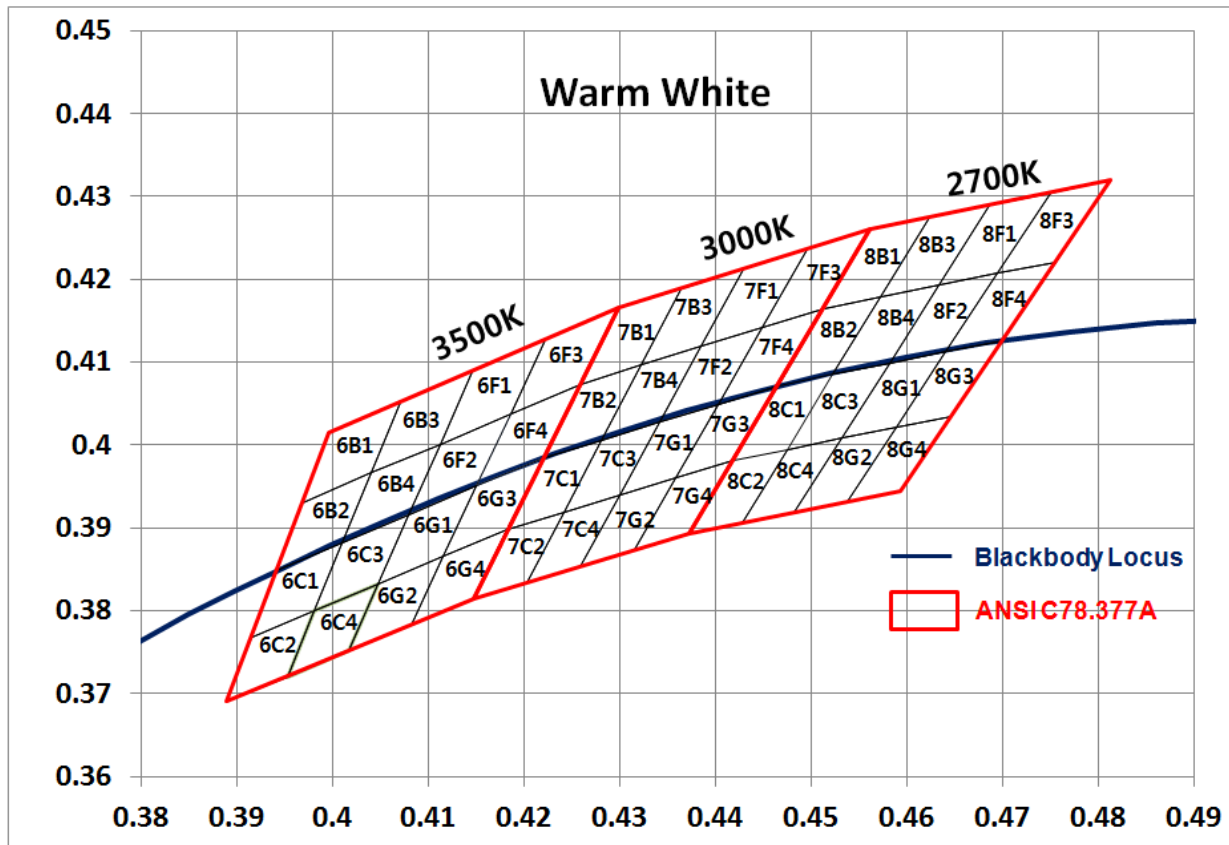
- Lumens maintains a tolerance of ± 0.005 on chromaticity (CCx, CCy)

CCT(K)	Region	x	y	Region	x	y	Region	x	y	Region	x	y
4500K	4B1	0.3539	0.3667	4B2	0.3530	0.3597	4B3	0.3584	0.3699	4B4	0.3573	0.3628
		0.3548	0.3736		0.3539	0.3667		0.3595	0.3770		0.3584	0.3699
		0.3595	0.3770		0.3584	0.3699		0.3641	0.3804		0.3628	0.3732
		0.3584	0.3699		0.3573	0.3628		0.3628	0.3732		0.3615	0.3659
4500K	4C1	0.3521	0.3531	4C2	0.3512	0.3465	4C3	0.3562	0.3561	4C4	0.3551	0.3493
		0.3530	0.3597		0.3521	0.3531		0.3573	0.3628		0.3562	0.3561
		0.3573	0.3628		0.3562	0.3561		0.3615	0.3659		0.3603	0.3590
		0.3562	0.3561		0.3551	0.3493		0.3603	0.3590		0.3590	0.3521
4500K	4F1	0.3628	0.3732	4F2	0.3615	0.3659	4F3	0.3674	0.3765	4F4	0.3659	0.3691
		0.3641	0.3804		0.3628	0.3732		0.3689	0.3839		0.3674	0.3765
		0.3689	0.3839		0.3674	0.3765		0.3736	0.3874		0.3719	0.3798
		0.3674	0.3765		0.3659	0.3691		0.3719	0.3798		0.3702	0.3722

(2) Neutral White (continued)

CCT(K)	Region	x	y	Region	x	y	Region	x	y	Region	x	y
4500K	4G1	0.3603	0.3590	4G2	0.3590	0.3521	4G3	0.3644	0.3620	4G4	0.3630	0.3550
		0.3615	0.3659		0.3603	0.3590		0.3659	0.3691		0.3644	0.3620
		0.3659	0.3691		0.3644	0.3620		0.3702	0.3722		0.3686	0.3650
		0.3644	0.3620		0.3630	0.3550		0.3686	0.3650		0.3670	0.3578
4000K	5B1	0.3719	0.3797	5B2	0.3702	0.3722	5B3	0.3782	0.3837	5B4	0.3763	0.3760
		0.3736	0.3874		0.3719	0.3797		0.3802	0.3916		0.3782	0.3837
		0.3802	0.3916		0.3782	0.3837		0.3869	0.3958		0.3847	0.3877
		0.3782	0.3837		0.3763	0.3760		0.3847	0.3877		0.3825	0.3798
4000K	5C1	0.3686	0.3649	5C2	0.3670	0.3578	5C3	0.3744	0.3685	5C4	0.3726	0.3612
		0.3702	0.3722		0.3686	0.3649		0.3763	0.3760		0.3744	0.3685
		0.3763	0.3760		0.3744	0.3685		0.3825	0.3798		0.3804	0.3721
		0.3744	0.3685		0.3726	0.3612		0.3804	0.3721		0.3783	0.3646
4000K	5F1	0.3847	0.3877	5F2	0.3825	0.3798	5F3	0.3912	0.3917	5F4	0.3887	0.3836
		0.3869	0.3958		0.3847	0.3877		0.3937	0.4001		0.3912	0.3917
		0.3937	0.4001		0.3912	0.3917		0.4006	0.4044		0.3978	0.3958
		0.3912	0.3917		0.3887	0.3836		0.3978	0.3958		0.3950	0.3875
4000K	5G1	0.3804	0.3721	5G2	0.3783	0.3646	5G3	0.3863	0.3758	5G4	0.3840	0.3681
		0.3825	0.3798		0.3804	0.3721		0.3887	0.3836		0.3863	0.3758
		0.3887	0.3836		0.3863	0.3758		0.3950	0.3875		0.3924	0.3794
		0.3863	0.3758		0.3840	0.3681		0.3924	0.3794		0.3898	0.3716

(3) Warm White



- Lumens maintains a tolerance of ± 0.005 on chromaticity (CCx, CCy)

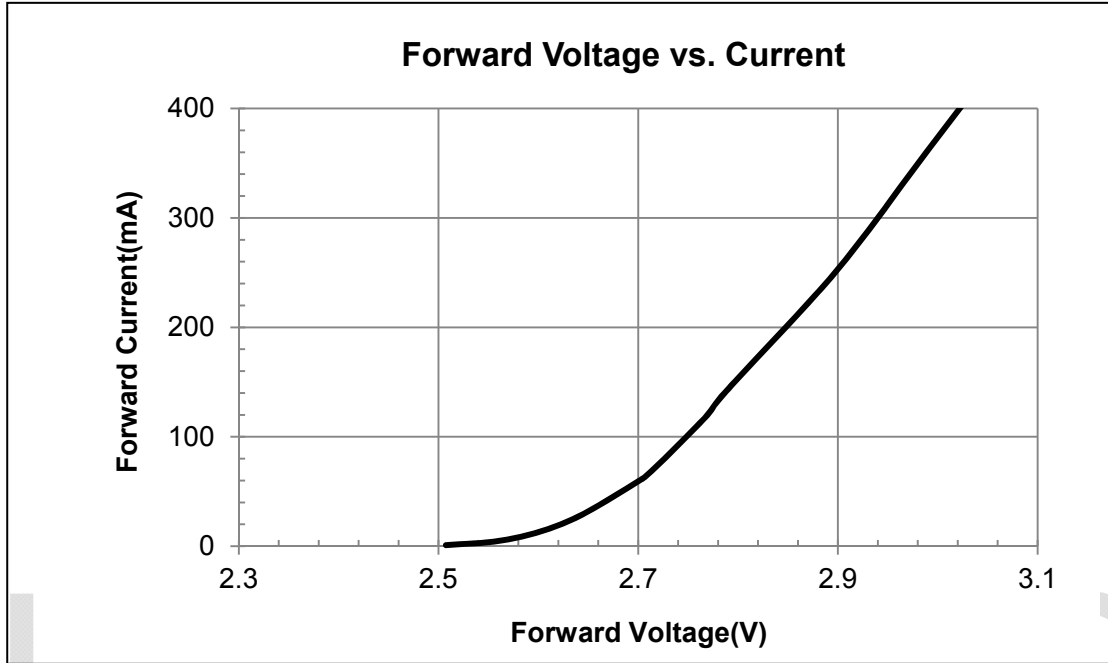
CCT(K)	Region	x	y	Region	x	y	Region	x	y	Region	x	y
3500K	6B1	0.3968	0.3930	6B2	0.3941	0.3848	6B3	0.4040	0.3966	6B4	0.4010	0.3882
		0.3996	0.4015		0.3968	0.3930		0.4071	0.4052		0.4040	0.3966
		0.4071	0.4052		0.4040	0.3966		0.4146	0.4089		0.4113	0.4001
		0.4040	0.3966		0.4010	0.3882		0.4113	0.4001		0.4080	0.3916
3500K	6C1	0.3915	0.3768	6C2	0.3889	0.3690	6C3	0.3981	0.3800	6C4	0.3981	0.3800
		0.3941	0.3848		0.3915	0.3768		0.4010	0.3882		0.3953	0.3720
		0.4010	0.3882		0.3981	0.3800		0.4080	0.3916		0.4017	0.3751
		0.3981	0.3800		0.3953	0.3720		0.4048	0.3832		0.4048	0.3832
3500K	6F1	0.4113	0.4001	6F2	0.4080	0.3916	6F3	0.4186	0.4037	6F4	0.4150	0.3950
		0.4146	0.4089		0.4113	0.4001		0.4222	0.4127		0.4186	0.4037
		0.4222	0.4127		0.4186	0.4037		0.4299	0.4165		0.4259	0.4073
		0.4186	0.4037		0.4150	0.3950		0.4259	0.4073		0.4221	0.3984

(3) Warm White (continued)

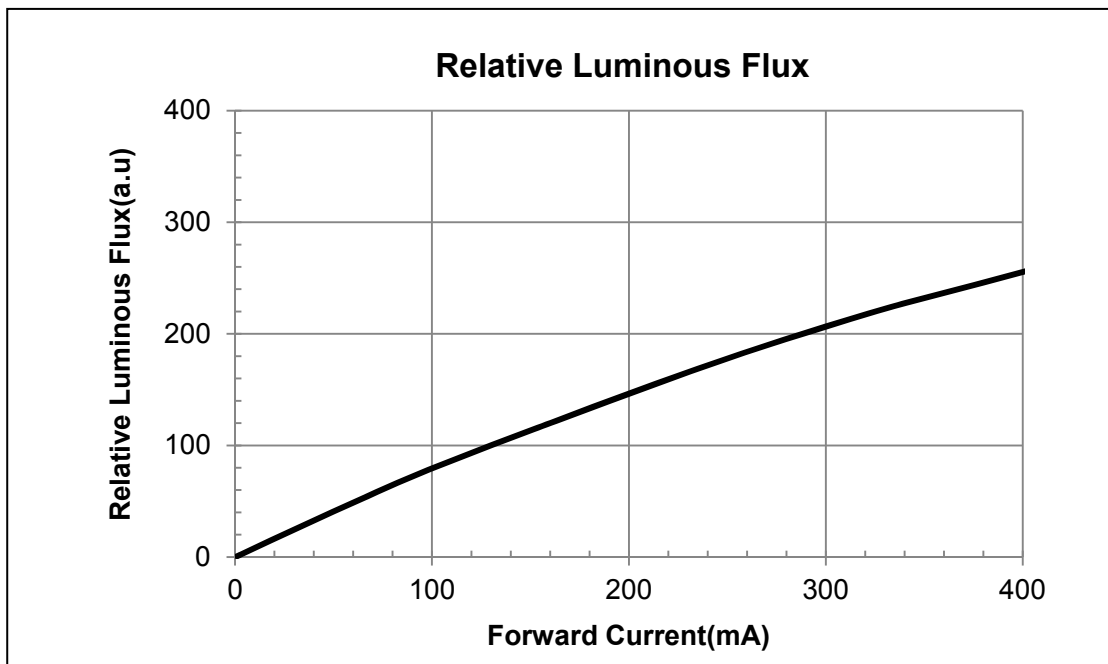
CCT(K)	Region	x	y	Region	x	y	Region	x	y	Region	x	y
3500K	6G1	0.4048	0.3832	6G2	0.4017	0.3751	6G3	0.4116	0.3865	6G4	0.4082	0.3782
		0.4080	0.3916		0.4048	0.3832		0.4150	0.3950		0.4116	0.3865
		0.4150	0.3950		0.4116	0.3865		0.4221	0.3984		0.4183	0.3898
		0.4116	0.3865		0.4082	0.3782		0.4183	0.3898		0.4147	0.3814
3000K	7B1	0.4259	0.4073	7B2	0.4221	0.3984	7B3	0.4322	0.4096	7B4	0.4281	0.4006
		0.4299	0.4165		0.4259	0.4073		0.4364	0.4188		0.4322	0.4096
		0.4364	0.4188		0.4322	0.4096		0.4430	0.4212		0.4385	0.4119
		0.4322	0.4096		0.4281	0.4006		0.4385	0.4119		0.4342	0.4028
3000K	7C1	0.4183	0.3898	7C2	0.4147	0.3814	7C3	0.4242	0.3919	7C4	0.4203	0.3833
		0.4221	0.3984		0.4183	0.3898		0.4281	0.4006		0.4242	0.3919
		0.4281	0.4006		0.4242	0.3919		0.4342	0.4028		0.4300	0.3939
		0.4242	0.3919		0.4203	0.3833		0.4300	0.3939		0.4259	0.3853
3000K	7F1	0.4385	0.4119	7F2	0.4342	0.4028	7F3	0.4449	0.4141	7F4	0.4403	0.4049
		0.4430	0.4212		0.4385	0.4119		0.4496	0.4236		0.4449	0.4141
		0.4496	0.4236		0.4449	0.4141		0.4562	0.4260		0.4513	0.4164
		0.4449	0.4141		0.4403	0.4049		0.4513	0.4164		0.4465	0.4071
3000K	7G1	0.4300	0.3939	7G2	0.4259	0.3853	7G3	0.4359	0.3960	7G4	0.4316	0.3873
		0.4342	0.4028		0.4300	0.3939		0.4403	0.4049		0.4359	0.3960
		0.4403	0.4049		0.4359	0.3960		0.4465	0.4071		0.4418	0.3981
		0.4359	0.3960		0.4316	0.3873		0.4418	0.3981		0.4373	0.3893
2700K	8B1	0.4513	0.4164	8B2	0.4465	0.4071	8B3	0.4573	0.4178	8B4	0.4523	0.4085
		0.4562	0.4260		0.4513	0.4164		0.4624	0.4274		0.4573	0.4178
		0.4624	0.4274		0.4573	0.4178		0.4687	0.4289		0.4634	0.4193
		0.4573	0.4178		0.4523	0.4085		0.4634	0.4193		0.4582	0.4099
2700K	8C1	0.4418	0.3981	8C2	0.4373	0.3893	8C3	0.4475	0.3994	8C4	0.4428	0.3906
		0.4465	0.4071		0.4418	0.3981		0.4523	0.4085		0.4475	0.3994
		0.4523	0.4085		0.4475	0.3994		0.4582	0.4099		0.4532	0.4008
		0.4475	0.3994		0.4428	0.3906		0.4532	0.4008		0.4483	0.3919
2700K	8F1	0.4634	0.4193	8F2	0.4582	0.4099	8F3	0.4695	0.4207	8F4	0.4641	0.4112
		0.4687	0.4289		0.4634	0.4193		0.4750	0.4304		0.4695	0.4207
		0.4750	0.4304		0.4695	0.4207		0.4813	0.4319		0.4756	0.4221
		0.4695	0.4207		0.4641	0.4112		0.4756	0.4221		0.4700	0.4126
2700K	8G1	0.4532	0.4008	8G2	0.4483	0.3919	8G3	0.4589	0.4021	8G4	0.4538	0.3931
		0.4582	0.4099		0.4532	0.4008		0.4641	0.4112		0.4589	0.4021
		0.4641	0.4112		0.4589	0.4021		0.4700	0.4126		0.4646	0.4034
		0.4589	0.4021		0.4538	0.3931		0.4646	0.4034		0.4593	0.3944

7. Characteristic Graphs(Ta=25°C)

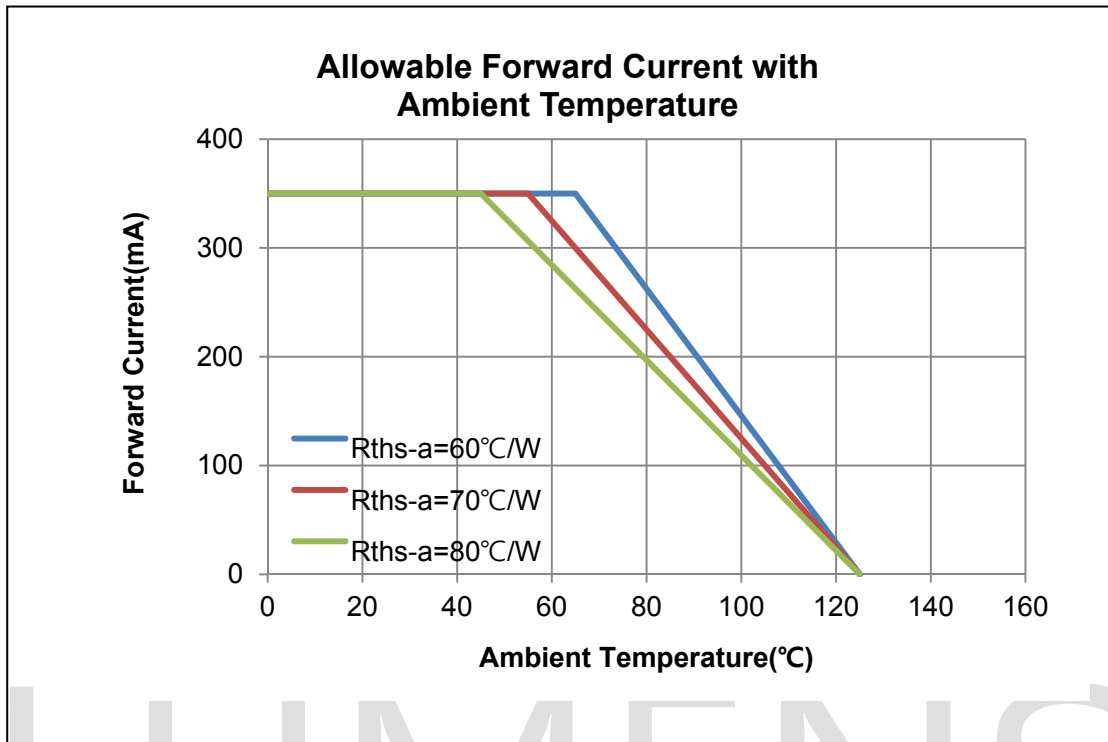
(1) Typical Forward Current vs. Forward Voltage



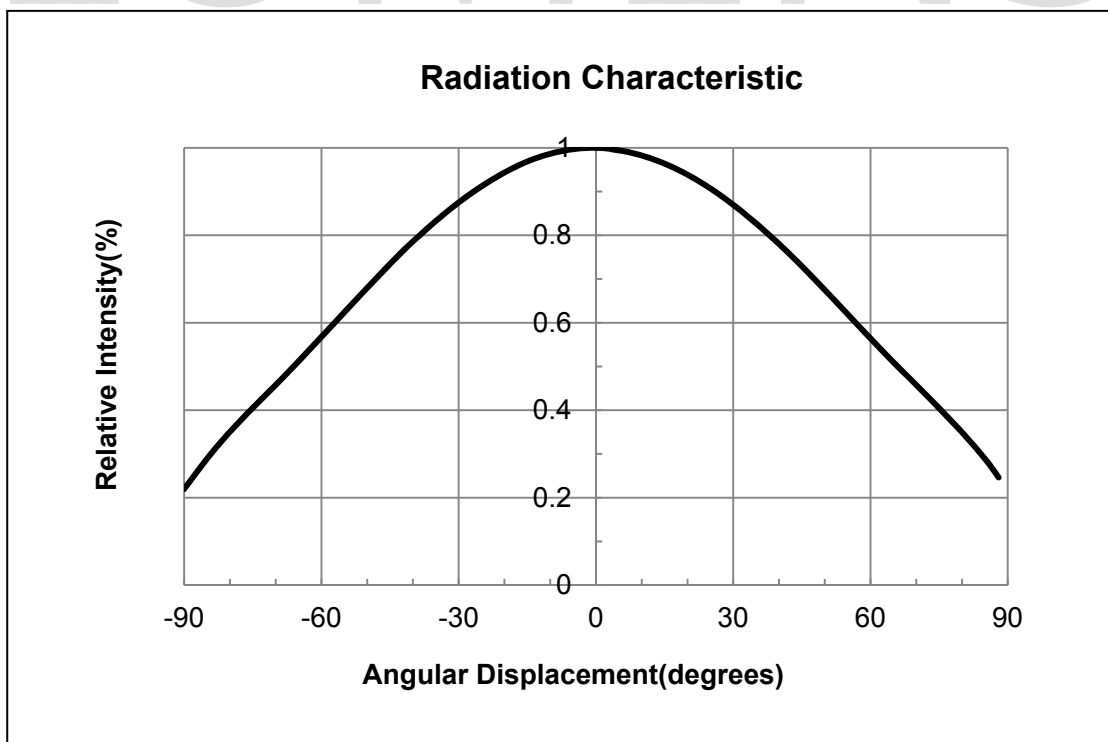
(2) Typical Relative Luminous Flux vs. Forward Current



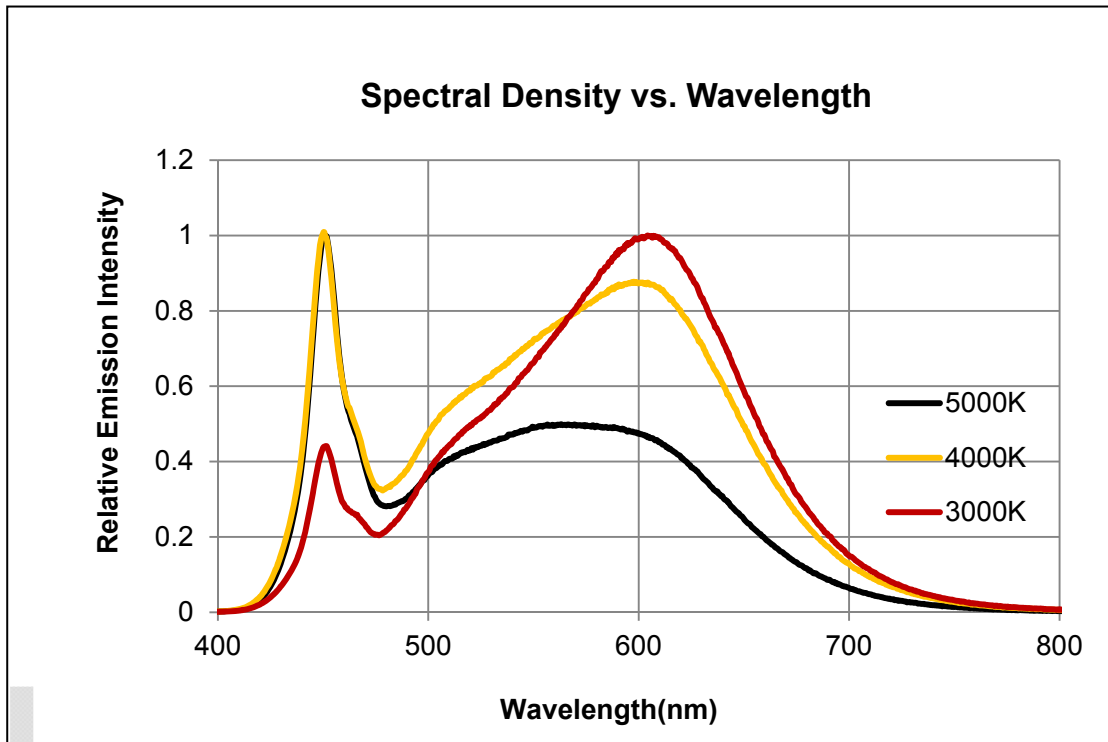
(3) Typical Allowable Forward Current with Ambient Temperature



(4) Typical Spatial Radiation Characteristic

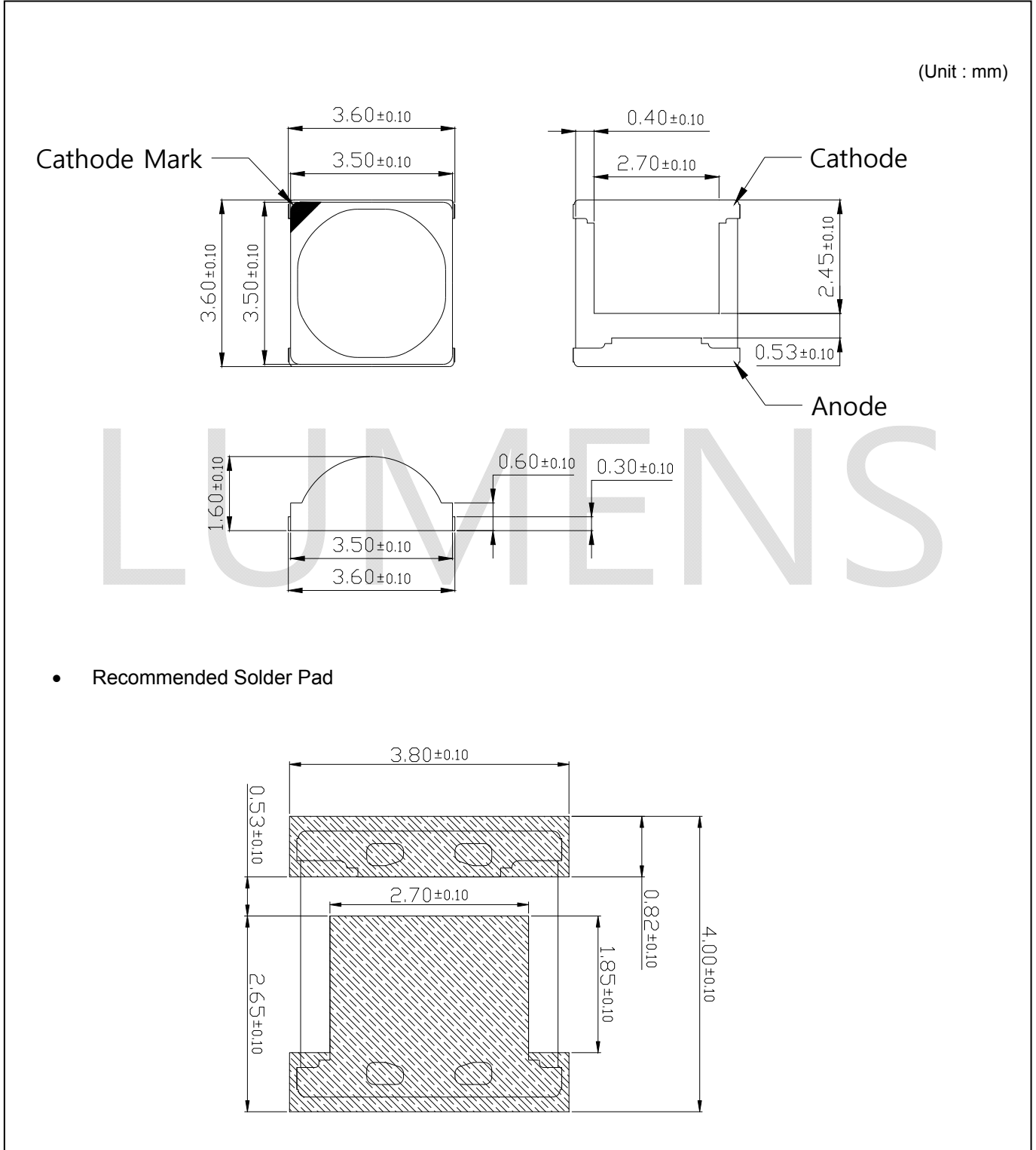


(5) Spectrum

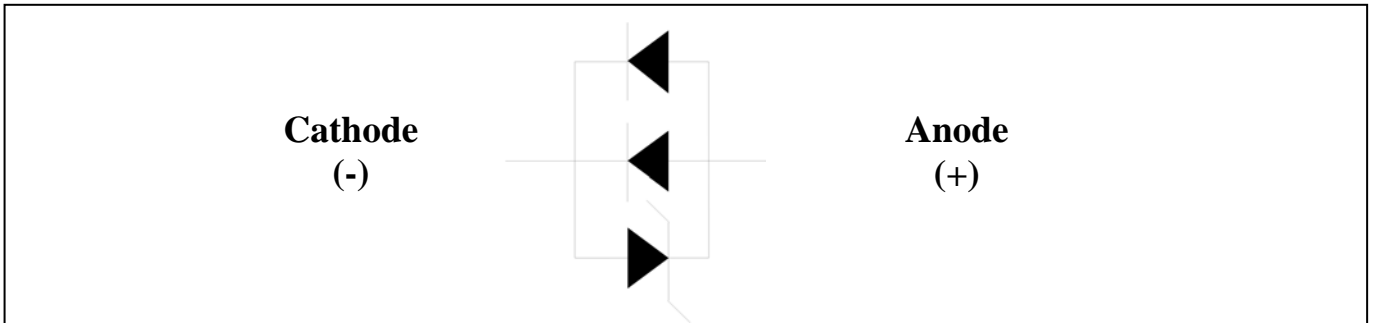


8. Outline Dimensions

- Package outline (Width x Length x Height) of 3.5 x 3.6 x 1.6mm
- Undefined tolerance is ± 0.1 mm



9. Circuit Design



10. Reliability test items and conditions

Item	Reference	Test Conditions	Duration Cycle	Number of Damaged
Thermal Shock	EIAJ ED-4701	Ta = -40°C (30min) ~ 100°C (30min)	150 Cycle	0/30
Operating Endurance Test	Internal Reference	Ta = 25°C, IF = 350mA	1000 Hours	0/30
High Temperature High Humidity Life Test	Internal Reference	Ta = 60°C, RH=90%, IF = 280mA	500 Hours	0/30
High Temperature Life Test	Internal Reference	Ta = 85°C, IF = 180mA	500 Hours	0/30
ESD	-	Up to 5KV	3 Time	0/30
Reflow	Tsor	260°C < 10sec, Reflow Soldering	3 Time	0/30

(1) Criteria for judging the damage

Item	Symbol	Condition	Criteria for Judgment	
			MIN	MAX
Forward Voltage	Vf	If = 160mA	-	USL (1) × 1.1
Luminous Flux	Φv	If = 160mA	LSL (2) × 0.7	-

- USL : Upper Standard Level
- LSL : Lower Standard Level

11. Recommended soldering temperature – time profile for reflow soldering

(1) Reflow Conditions (Pb Free)

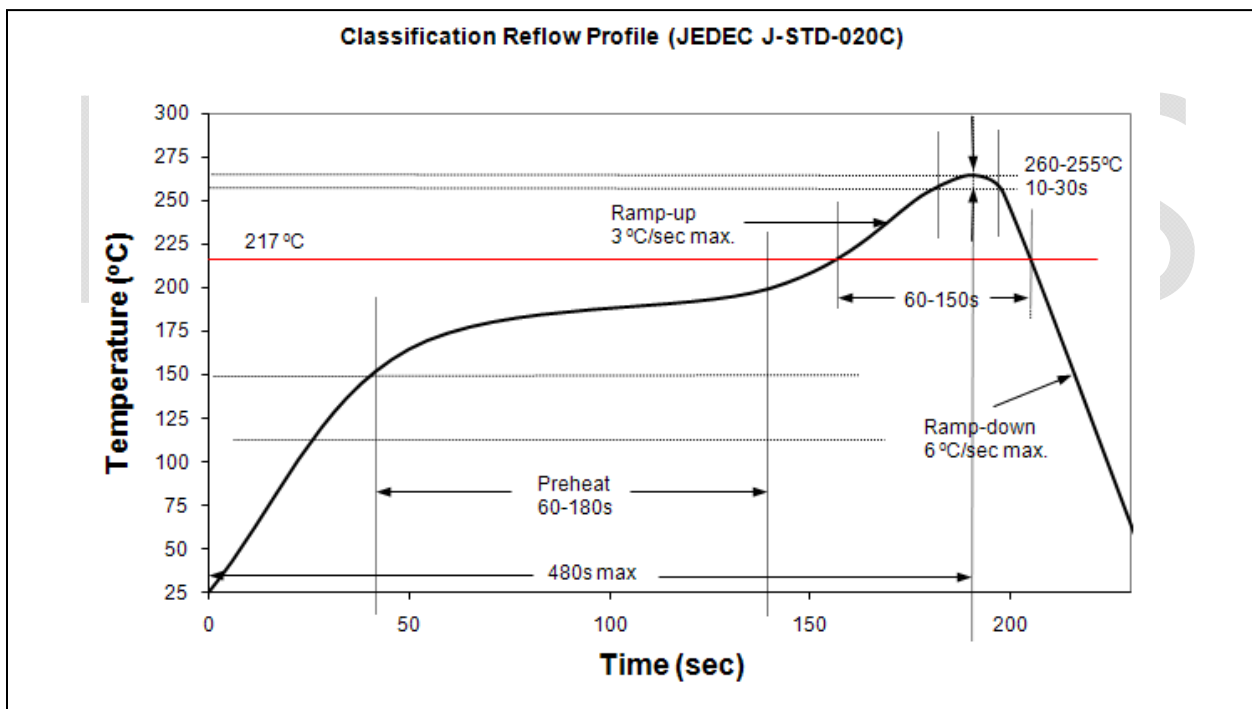
Surface Mounting Condition

- In automatic mounting of the SMD LEDs on printed circuit boards, any bending, expanding and pulling forces or shock against the SMD LEDs should be kept minimum to prevent them from electrical failures and mechanical damages of the devices.

Soldering Reflow

- Soldering of the SMD LEDs should conform to the soldering condition in the individual specifications.
- SMD LEDs are designed for reflow soldering.
- In the reflow soldering, too high temperature and too large temperature gradient such as rapid heating/cooling may cause electrical & optical failures and damages of the devices.
- Lumens cannot guarantee the LEDs after they have been assembled using the solder dipping method.

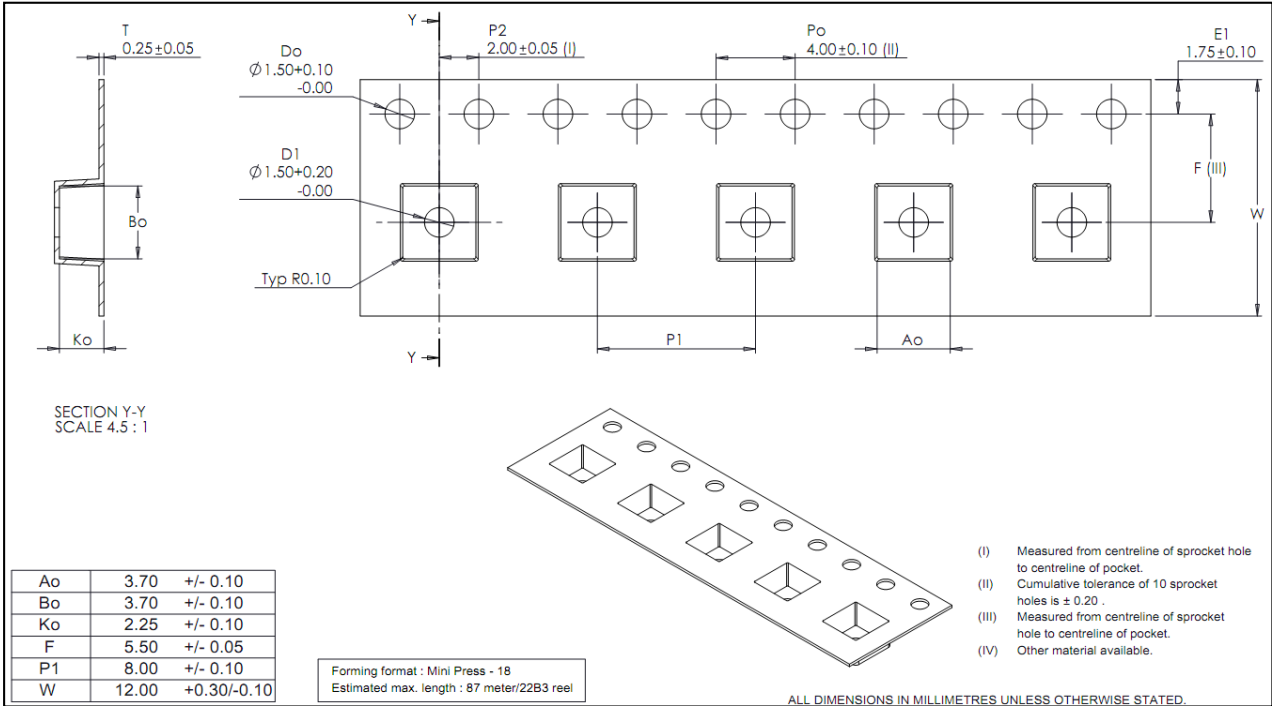
(2) Recommended Reflow Profile.



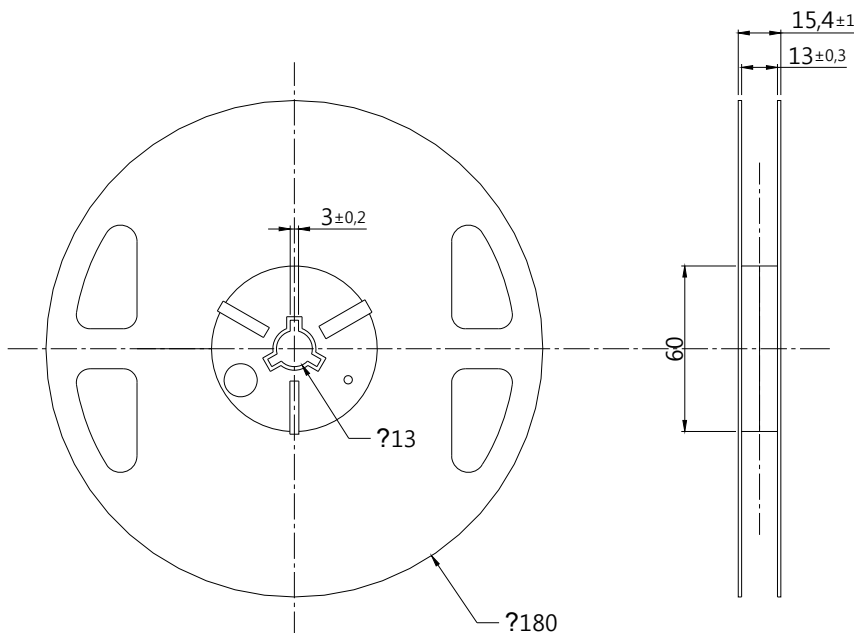
12. Taping & Orientation

- Moisture proof bag
- 1 Reel/bag
- Quantity: 800ea/Reel

- Carrier Tape Dimension



- Reel Dimension



13. Cautions

(1) Moisture-Proof Package

- 1.1 When moisture is absorbed into the LED package it may vaporize and expand products during soldering. There is a possibility that this may cause exfoliation of the contacts and damage to the optical characteristics of the LEDs. For this reason, the moisture-proof package is used to keep moisture to a minimum in the package.
- 1.2 A package of a moisture-absorbent material (silica gel) is inserted into the shielding bag. The silica gel changes its color from blue to pink as it absorbs moisture.

(2) Current limiting

A resistor should be used to limit current spikes that can be caused by voltage fluctuations. Otherwise damage could occur.

(3) Iron Soldering

- 3.1 Hand soldering is not recommended for regular production. These guidelines are for rework only.
- 3.2 Soldering iron tip should contact each terminal no more than 3 sec at 350°C, using soldering iron with nominal power less than 25W. Allow min. 2 sec. between soldering intervals.

(4) Storage Conditions

- 4.1 Before opening the package: The LEDs should be kept at 30°C or less and 90%RH or less. The LEDs should be used within a year. When storing the LEDs, moisture-proof packaging with moisture-absorbent material (silica gel) is recommended.
- 4.2 After opening the package: The LEDs should be kept at 30°C or less and 70%RH or less. The LEDs should be soldered within 168 hours (7 days) after opening the package. If unused LEDs remain, they should be stored in moisture-proof packages, such as sealed containers with packages of moisture-absorbent material (silica gel). It is also recommended to return the LEDs to the original moisture-proof bag and to reseal the moisture-proof bag again.
- 4.3 If the moisture-absorbent material (silica gel) has faded away or the LEDs have exceeded the recommended storage time, baking treatment should be performed using the following conditions.
Baking treatment: more than 24 hours at 65±5°C
- 4.4 Lumens LED electrode sections are comprised of a silver-plated copper alloy. The silver surface may be affected by environments which contain corrosive gases and so on. Please avoid condition which may cause difficulty environments during soldering operations. It is recommended that the user uses the LEDs as soon as possible.
- 4.5 Please avoid rapid transitions in ambient temperature, especially in high humidity environments where condensation can occur.

(5) Handling of Silicone (Lens) LEDs

- 5.1 Avoid silicone resin parts especially with sharp tools such as tweezers.
- 5.2 Avoid leaving fingerprints on silicone lens part.
- 5.3 Do not apply the silicone lens part with pressure especially in SMT production. So use a proper nozzle not to press the lens part of the LED to pick and place.

(6) Usage

- 6.1 Do not exceed the values given in this specification.

LUMENS

NOTE :

All the information published is considered to be reliable. However, Lumens does not assume any liability arising out of the application or use of any product described herein.

Lumens reserves the right to make changes at any time without notice to any products in order to improve reliability, function or design.

Lumens products are not authorized for use as critical components in life support devices or systems without the express written approval from the managing director of Lumens.